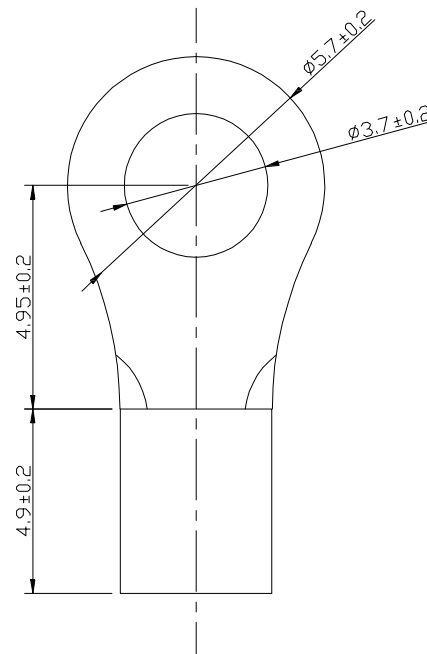
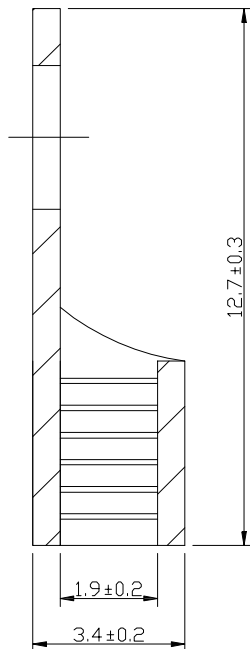


The product using material and processing must conform to the "WL-PZ-001"HSF technical standard control requirements

RoHS



技术要求

- 1、材质：紫铜，厚度0.75mm
- 2、导线截面积：0.5~1.5mm²，22-16AWG
- 3、最大电流：19A
- 4、表面处理：镀锡

REV.	REVISION RECORD	DATE		GENERAL TOLERANCES		SCALE: 1:1	NAME	DATE	PART.NO: RNBS1.25-3.5	DWG.NO: ENDE05	 WanLian Technology Co., Ltd
A0	NEW RELEASE	22.10.28		LINEAR	ANGLES	APPROVED	Wang_jr	22.10.28			
			UNIT:mm	0.00±0.25	X°±3°	DESIGNER	Han_Gao	22.10.28	TITLE:	0形无绝缘端子 镀锡 RNBS1.25-3.5	
			SIZE: A4	0.000±0.10	X°X' ±2°	DRAWN	LanXuan_Hou	22.10.28	REV: A0		